

Figure (1): Block diagram of E.C.G Device.

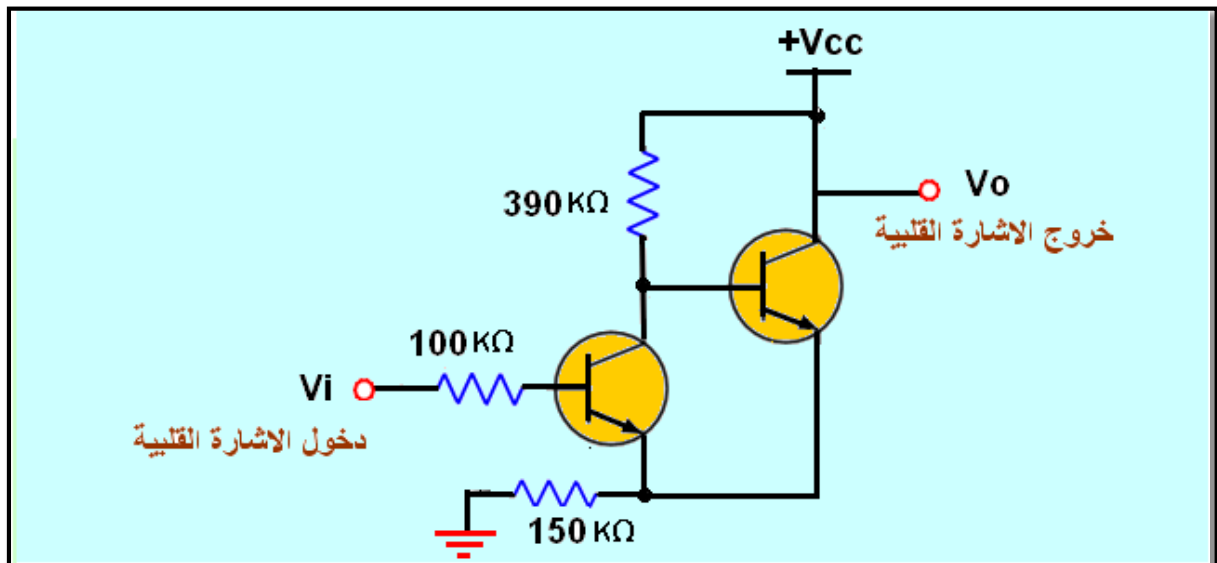


Figure (2): Buffer Amplifier of ECG Device.

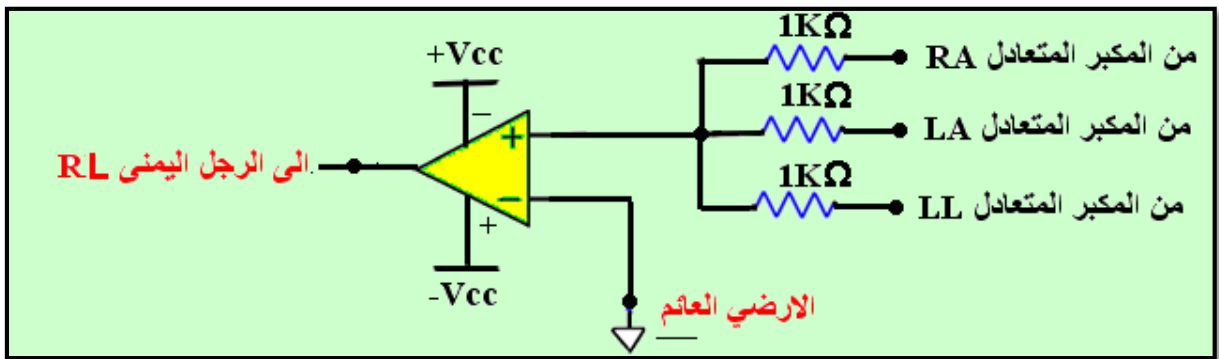


Figure (3): Right Leg Circuit of E.C.G Device.

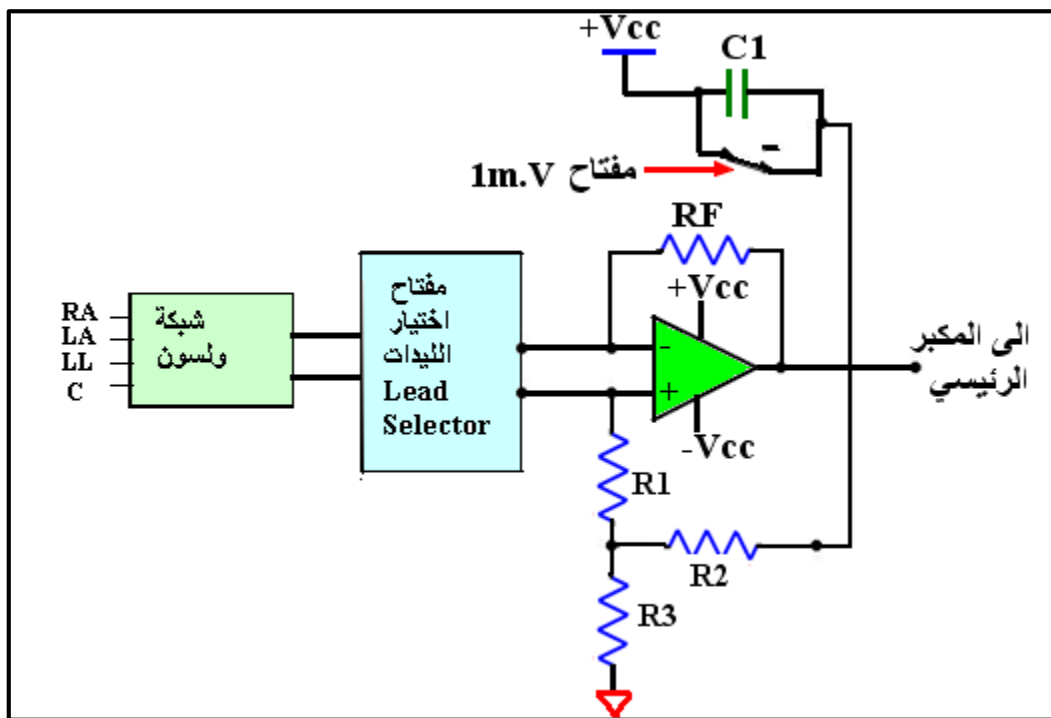


Figure (4): Block Diagram of Pre-Amplifier stage of E.C.G Device.

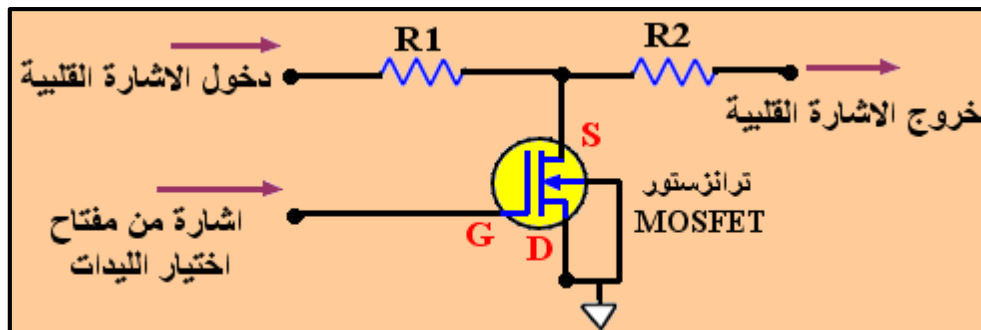


Figure (5): Block Diagram of ECG signal Circuit of E.C.G Device.

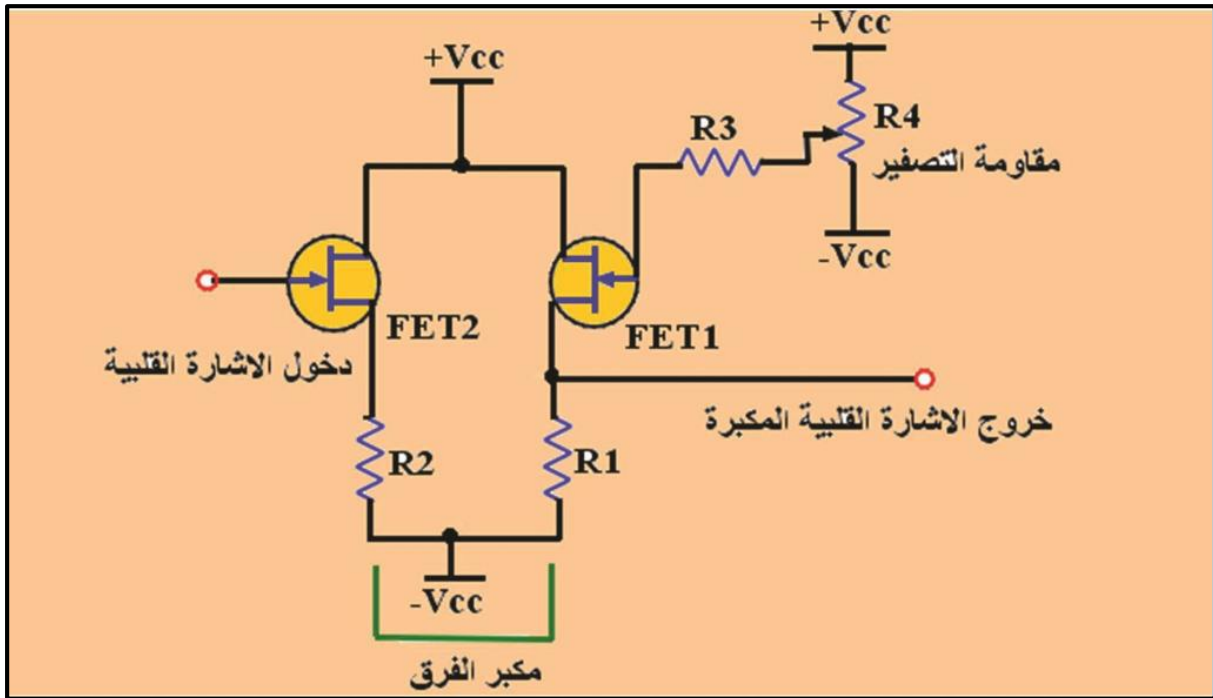


Figure (6): Block Diagram of ECG signal Circuit of E.C.G Device.

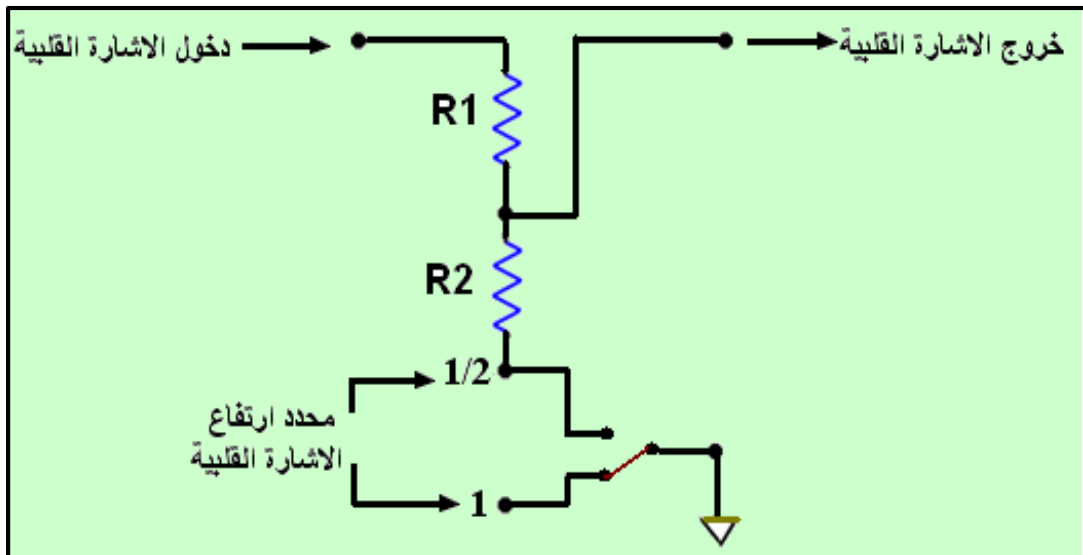


Figure (7): Circuit of E.C.G signal high of E.C.G Device.

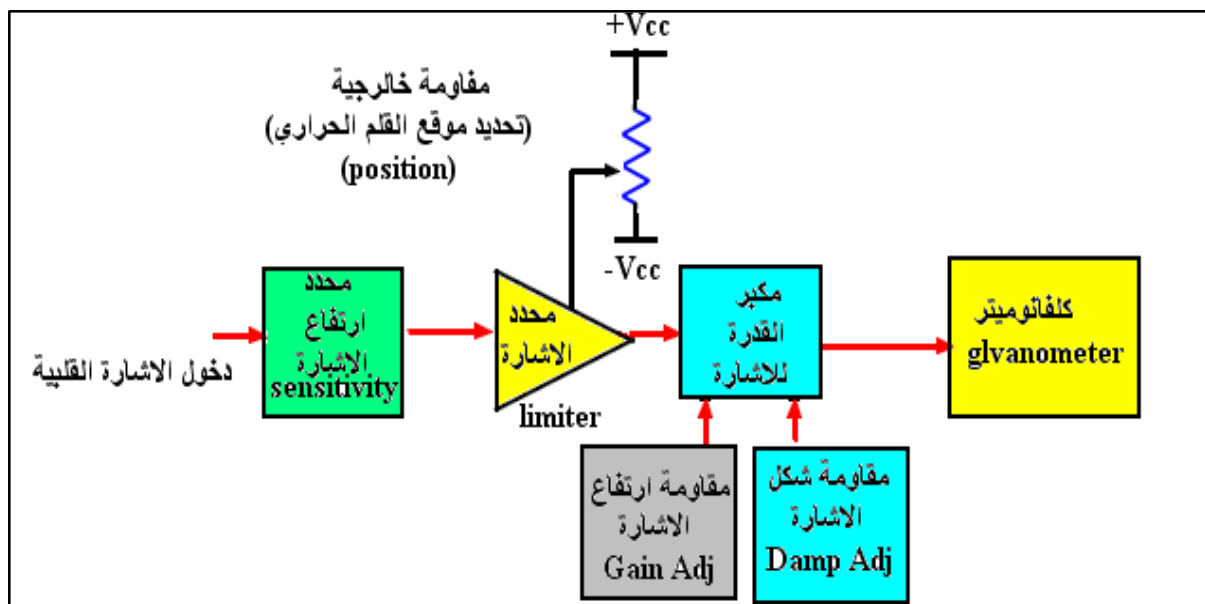


Figure (8): Block Diagram of signal power amplifier of E.CG Device

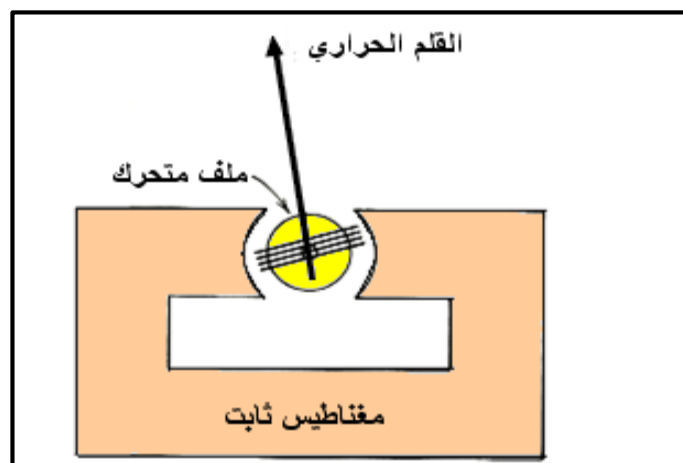


Figure (9): Block Diagram of Givanometer of E.C.G device.

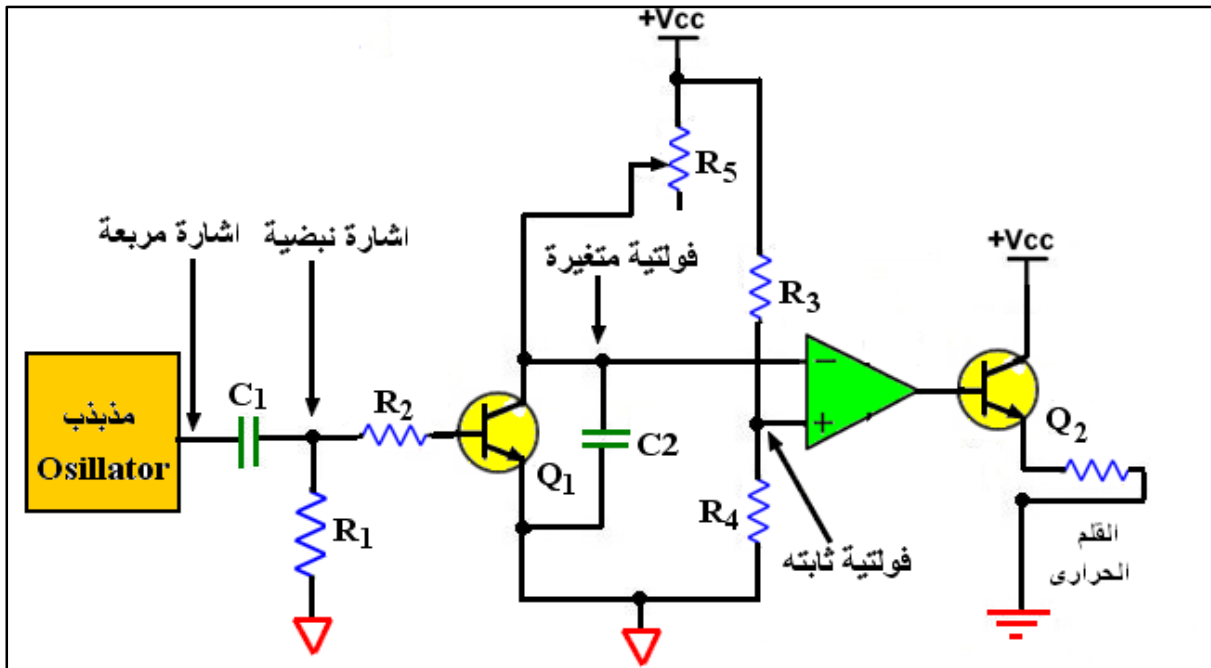


Figure (10): Block diagram of Stylus control circuit of E.C.G device.

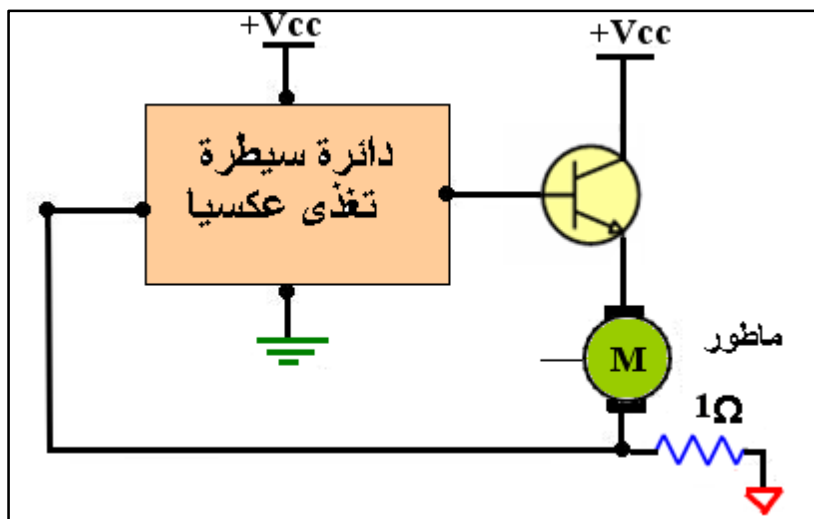


Figure (11): Block diagram of motor speed control circuit of E.C.G device.

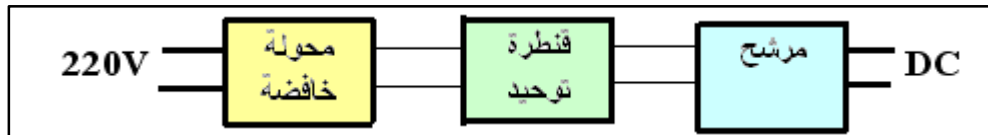


Figure (12): Block diagram of the power supply or provider.

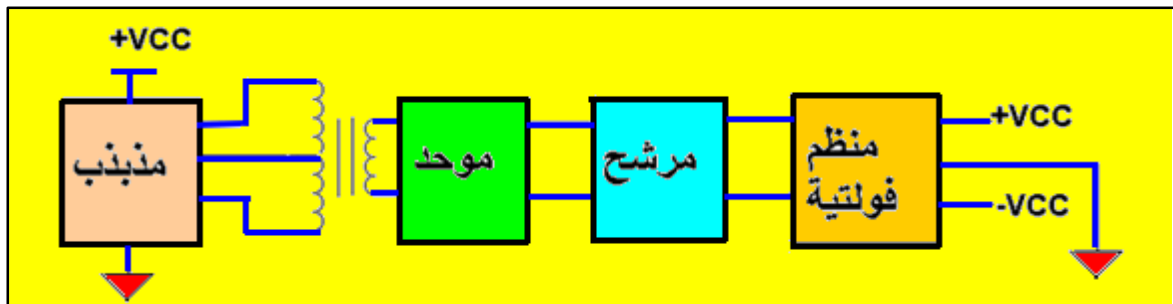


Figure (13): Block diagram of voltage regulator of E.C.G device.